

GROVE

ACHSANBAU 10 X 6 X 10
 AXLE ATTACHMENT 10 X 6 X 10

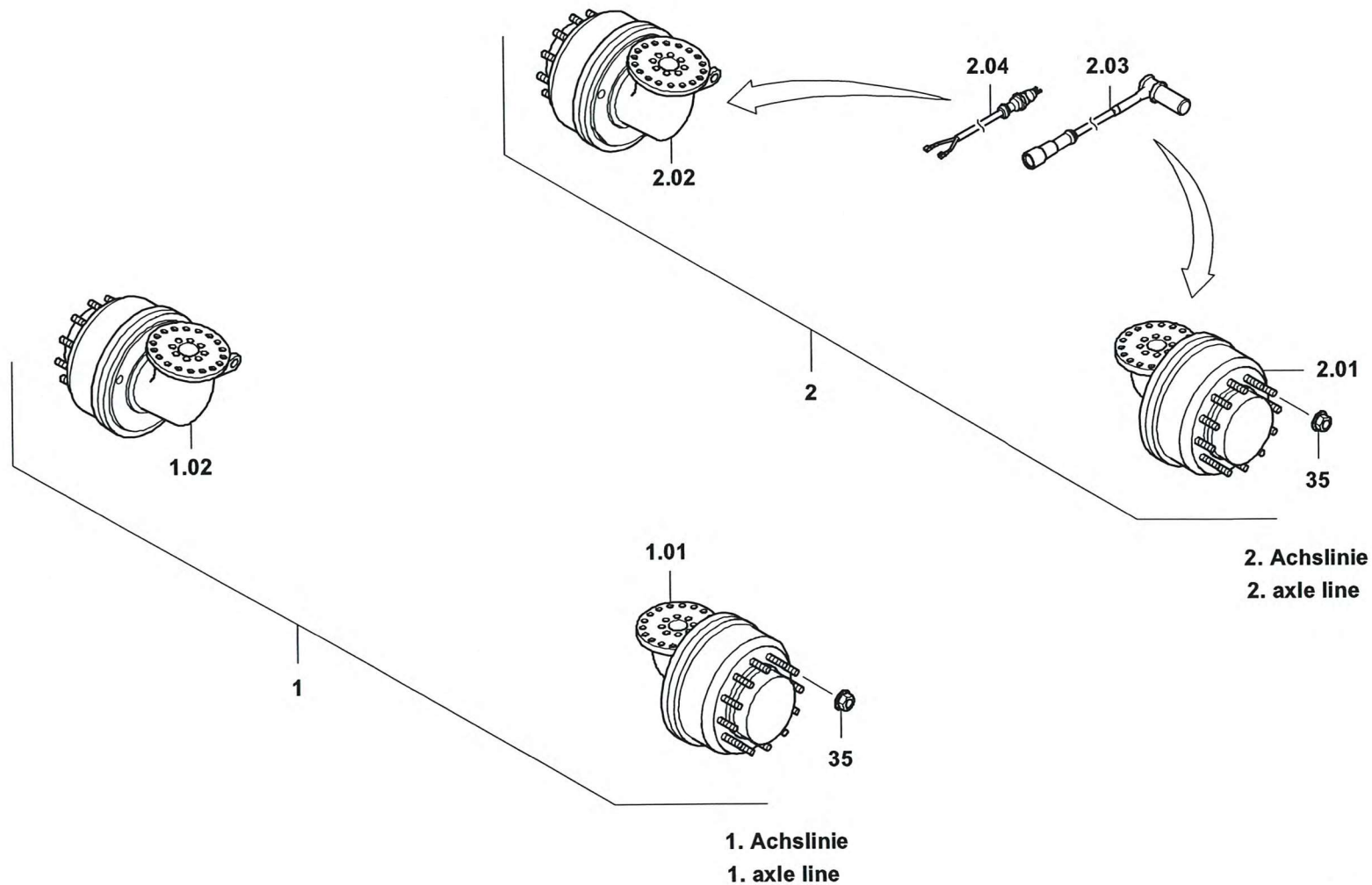
BILDТАFEL
 PICTORIAL DISPLAY

12.07

3150970-ETL A

1/4

GMK 5095
BE 505
G 061



GROVE

ACHSANBAU 10 X 6 X 10
 AXLE ATTACHMENT 10 X 6 X 10

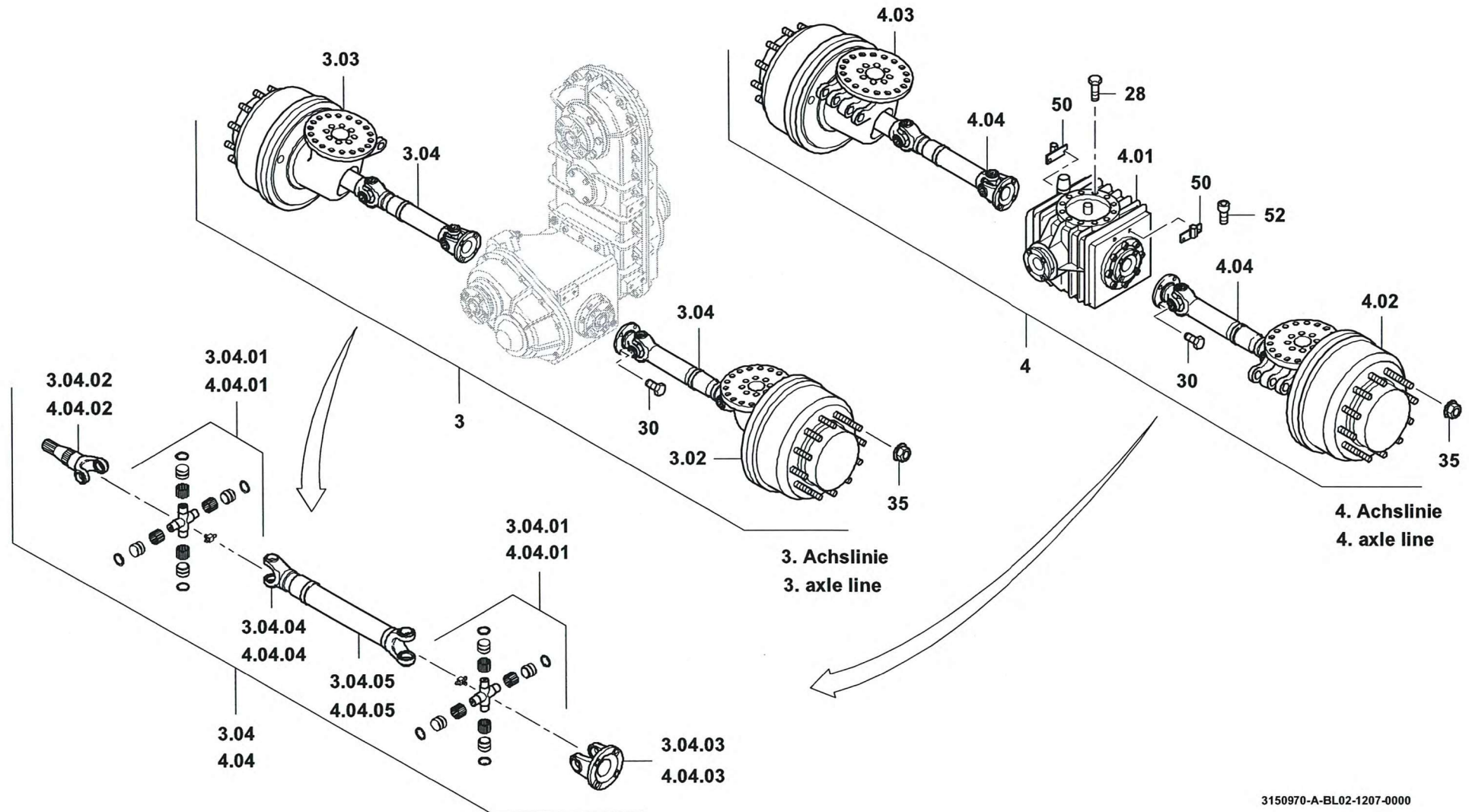
BILDTADEL
 PICTORIAL DISPLAY

12.07

3150970-ETL A

2/4

GMK 5095
 BE 505
 G 061

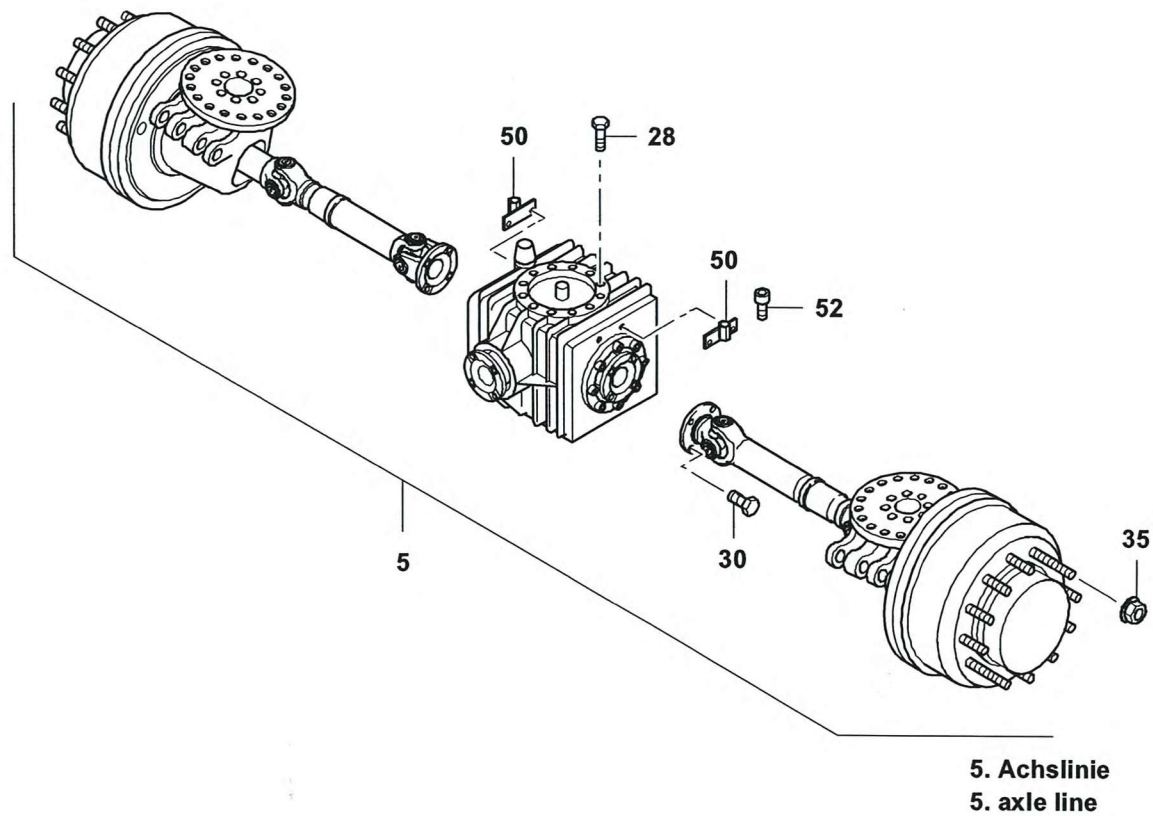


GROVEACHSANBAU 10 X 6 X 10
AXLE ATTACHMENT 10 X 6 X 10BILDТАFЕL
PICTORIAL DISPLAY

12.07

3150970-ETL A

3/4

**GMK 5095
BE 505
G 061**

GROVE

ACHSANBAU 10 X 6 X 10
 AXLE ATTACHMENT 10 X 6 X 10

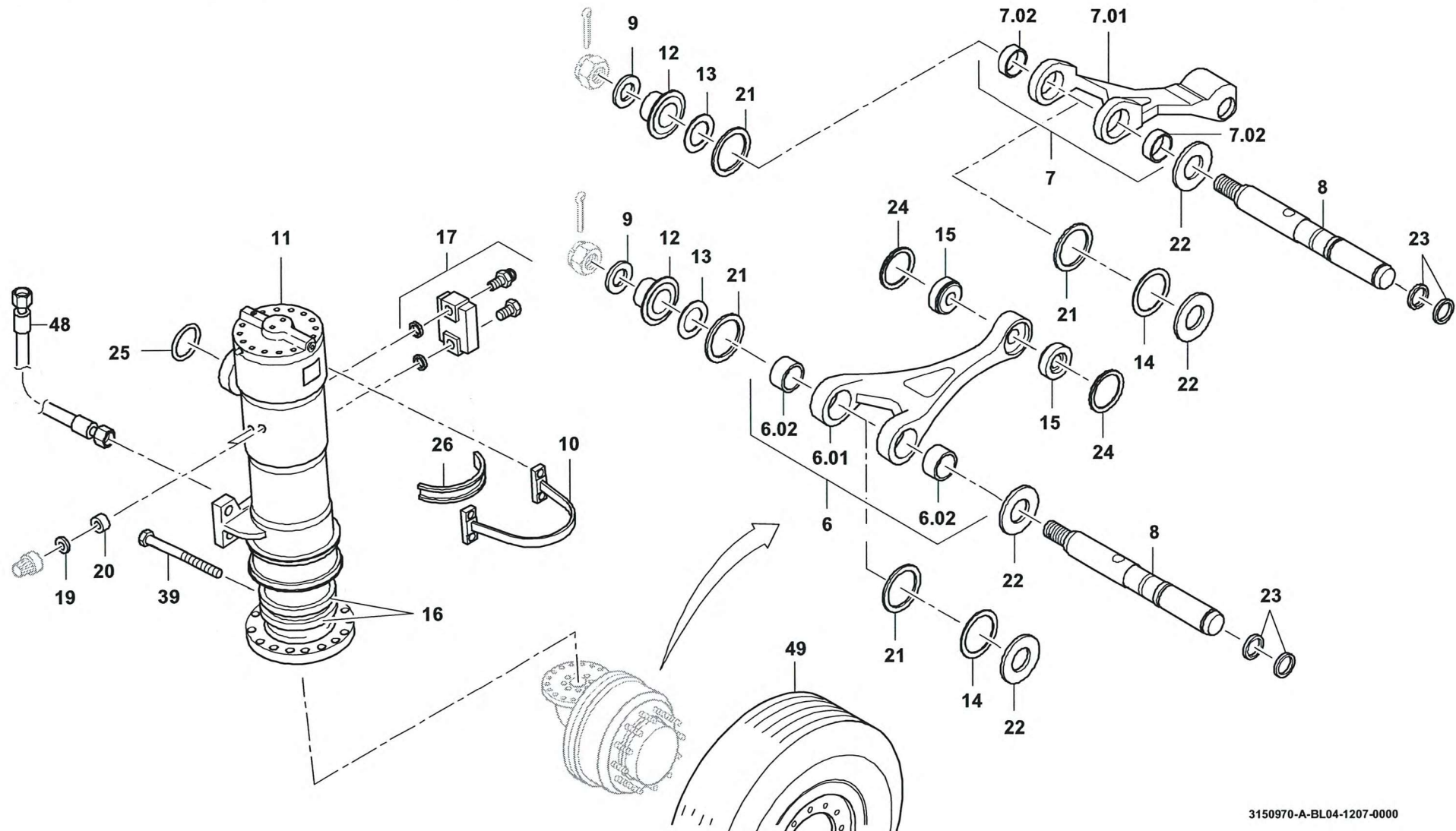
BILDTADEL
 PICTORIAL DISPLAY

12.07

3150970-ETL A

4/4

GMK 5095
 BE 505
 G 061



3150970-A-BL04-1207-0000